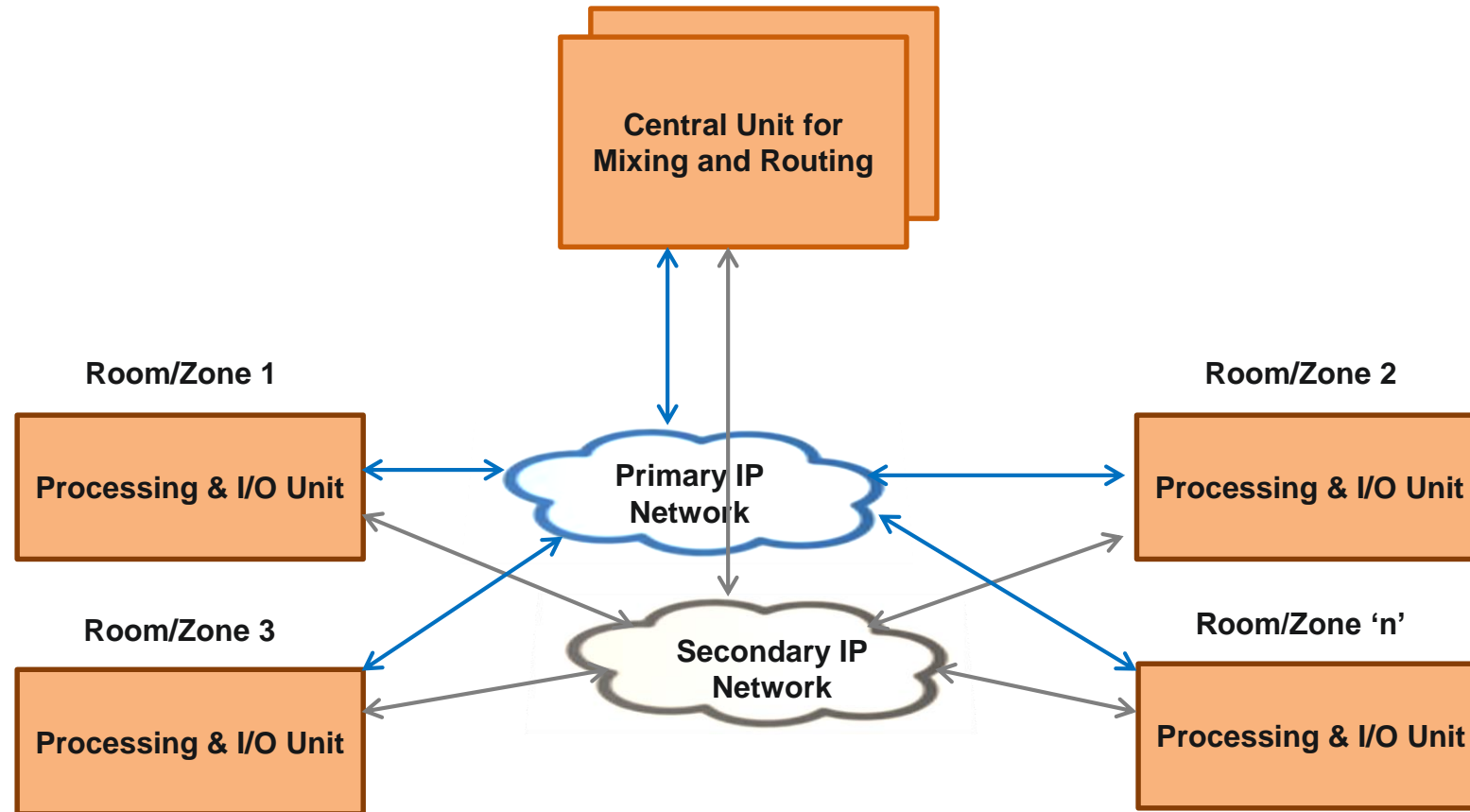


CONVERGE Matrix

Audio mixing, routing and networked audio
distribution system

Highly Scalable Audio Distribution System



Networked Audio Applications

- + Government facilities
- + Corporate buildings
- + Transportation centers, Airports
- + Universities
- + Houses of Worship
- + Stadiums
- + Casinos
- + Entertainment venues

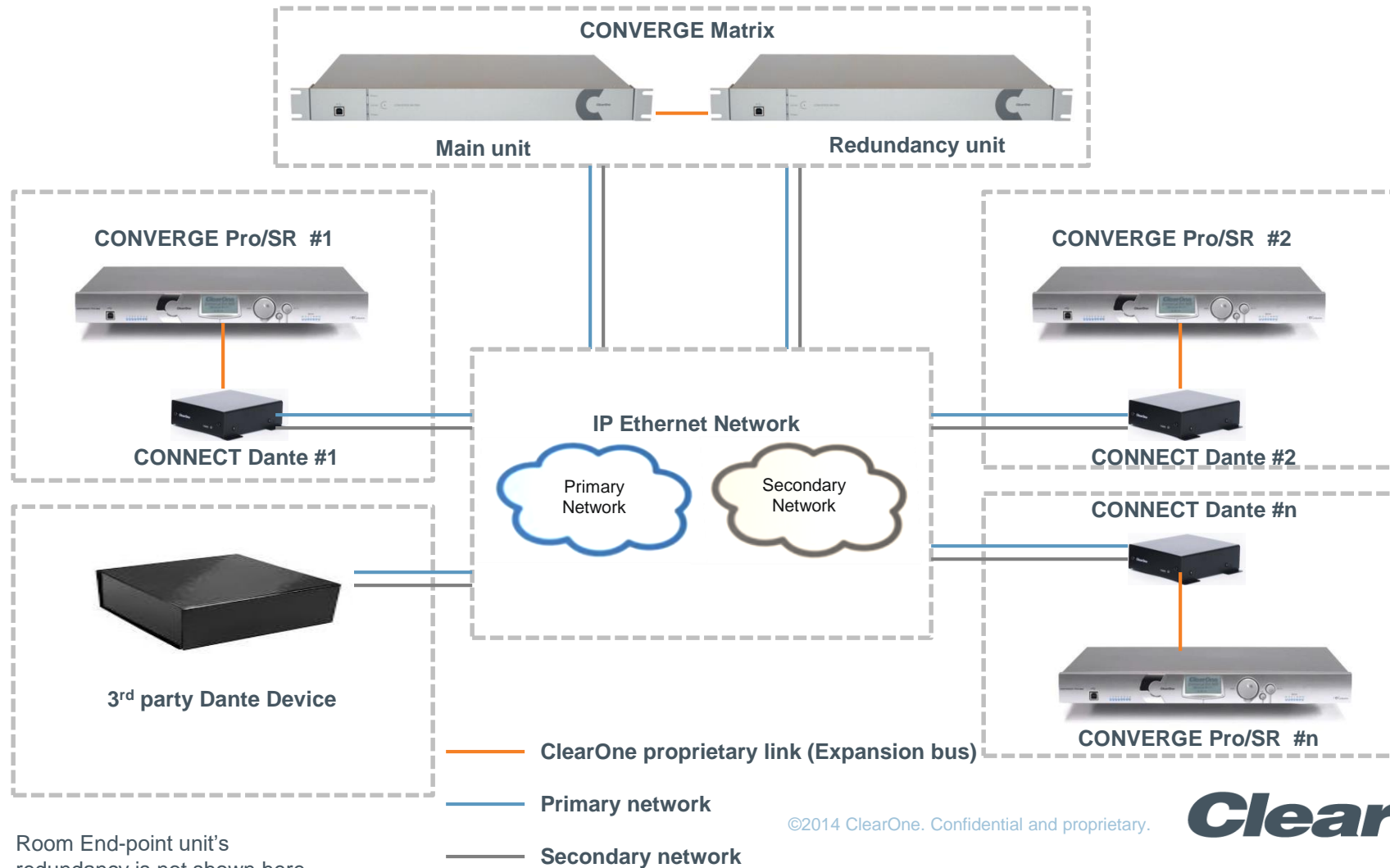


- + Museums
- + Amusement parks
- + Shopping malls
- + Convention centers, Expo
- + Auditoriums
- + Healthcare centers
- + Hotels
- + Cruise Ships

CONVERGE Matrix

- + **Audio mixing, routing and networked audio distribution system**
 - + Provides highly scalable & field-upgradable digital networked audio distribution
 - + Works with existing IP network infrastructure using Dante
 - + Works with all existing CONVERGE SR & Pro units through CONNECT Dante unit
 - + Interoperates with 3rd party Dante devices
 - + Offers complete system redundancy (device and network)

CONVERGE Matrix System (with network and unit redundancy setup)

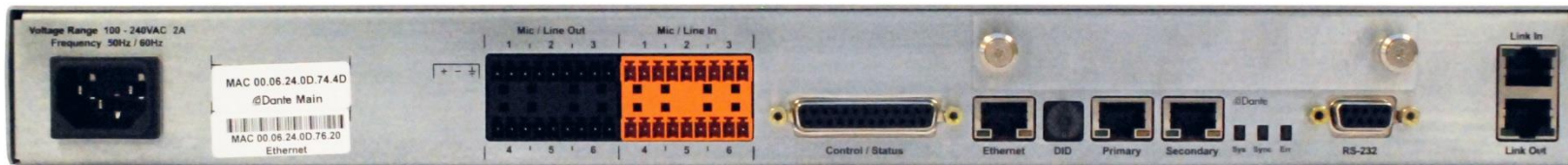


CONVERGE Matrix unit

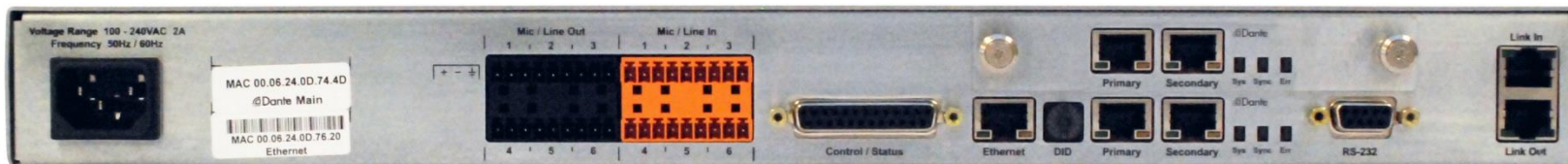


CONVERGE Matrix unit – 256 Ch and 512 Ch units

256x256 Channel Matrix unit

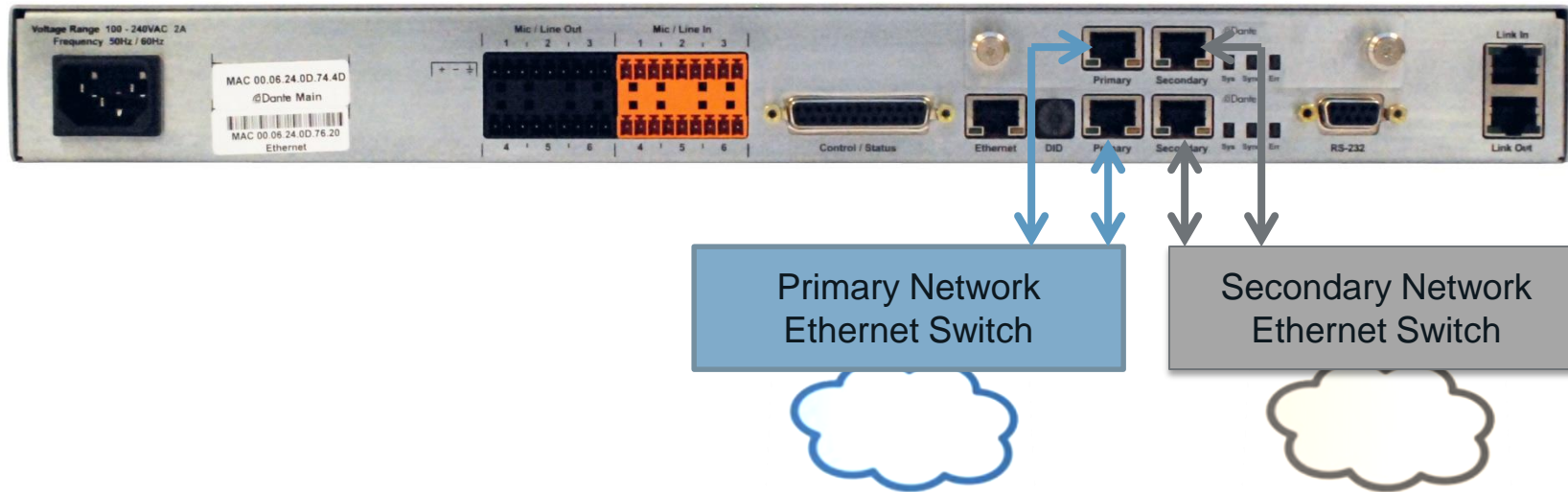


512x512 Channel Matrix unit



Front panel is same on both 256 Ch and 512 Ch units

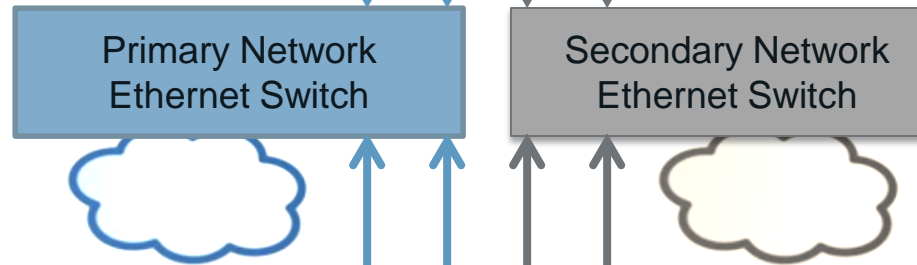
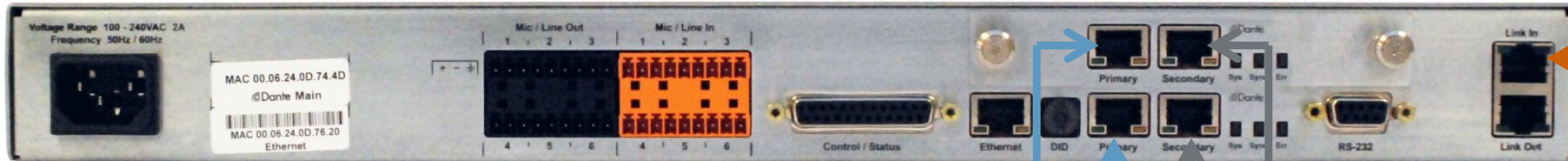
CONVERGE Matrix 512 Ch unit Network Connection



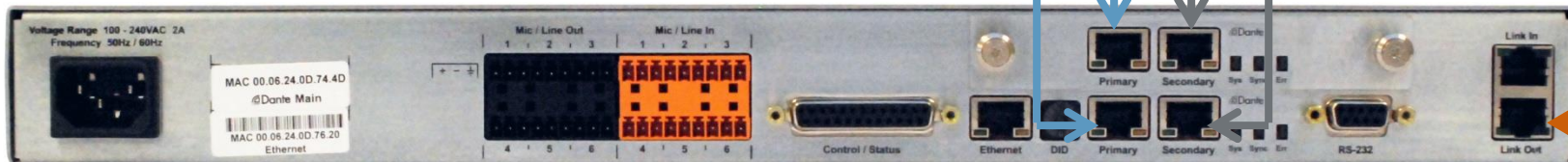
- + Upper pair of Dante port support 256 channels max and lower pair of Dante port support 256 channels.
- + Primary and Secondary Dante ports in each pair/block carry exact same signal of the primary port for Network Redundancy.
- + Primary ports in both pair should be connected to the Ethernet Switch on the primary network.
- + Secondary ports in both pair should be connected to the Ethernet Switch on the secondary network.

CONVERGE Matrix 512 Ch unit – Network & Unit Redundancy

512 Ch Main unit



512 Ch Redundancy unit



CONVERGE Matrix Features

Mix, Route audio channels

Group/Zone configuration

Audio channel matrix full view, filtered view

Auto naming

Macros

Presets

Timed events

Local Input & Output Configuration

GPIO & RS232

Main unit and Redundant unit configuration automatic synchronization

Dante Controller Software for Dante configuration

Console Matrix Software for mixing, routing, other configuration

Converge Console Software for Converge Pro/SR configuration

New 64x64 and 128x128 versions out by year end 2015

©2014 ClearOne. Confidential and proprietary.

ClearOne®

CONVERGE Dante Connect

Dante network bridge

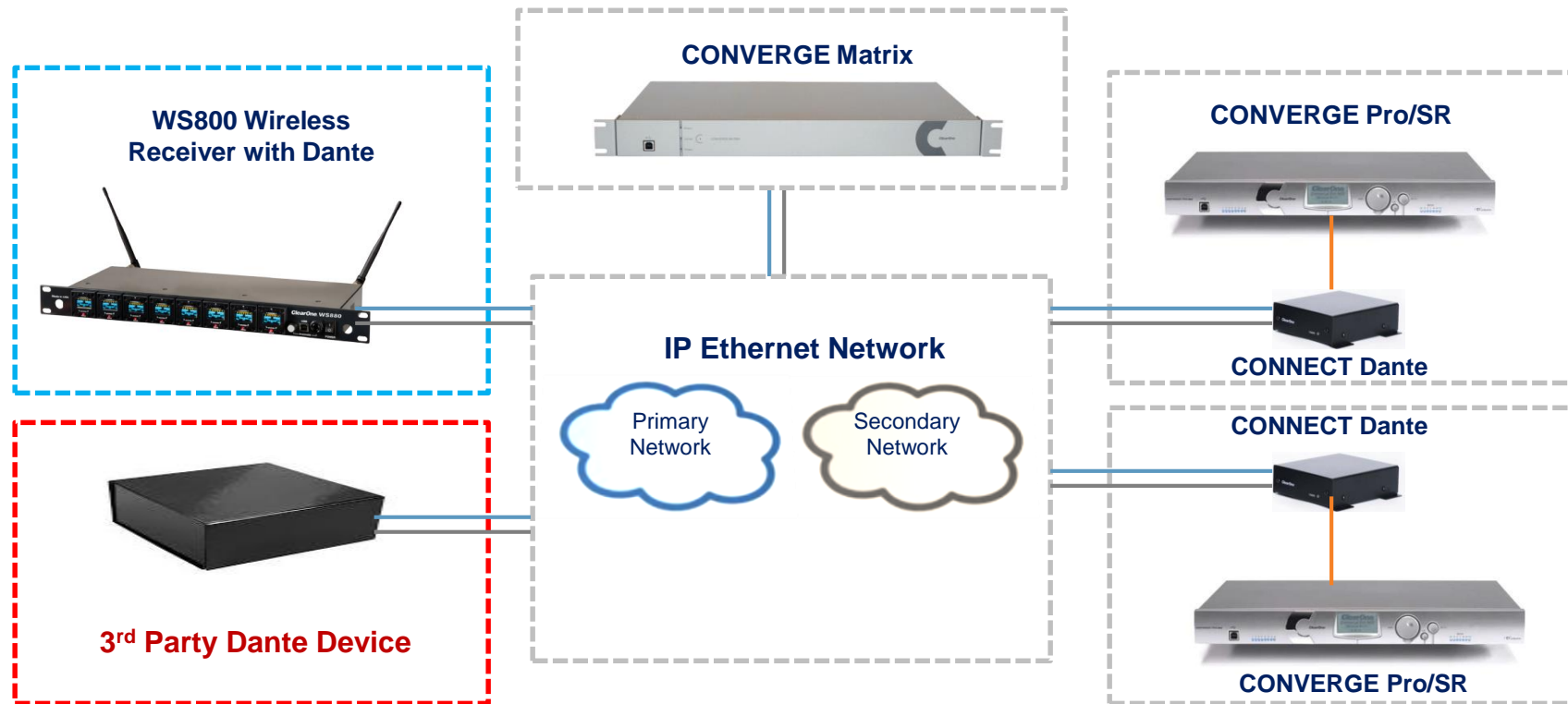
The CONNECT Dante network bridge

- + The CONNECT Dante network bridge provides networked audio distribution capability to CONVERGE® Pro and SR products. 8 x 8 I/O audio extends system boundaries, transmitting audio channels through network
 - > Extends system boundaries by transmitting audio through network
 - > Supports all CONVERGE PRO and CONVERGE SR family of products
 - > Connects with CONVERGE products via Link ports
 - > Supports 8x8 Dante Audio Channels
 - > Makes CONVERGE PRO and SR units work with CONVERGE MATRIX for audio mixing, routing, distribution
 - > Provides digital audio interface to CONVERGE products
 - > Modular approach allows to build scalable system over time
 - > Compatible with other Dante devices
 - > AVB ready & AES67 ready (compatible through Dante's future firmware upgrade)

ClearOne Digital Wireless Microphone System

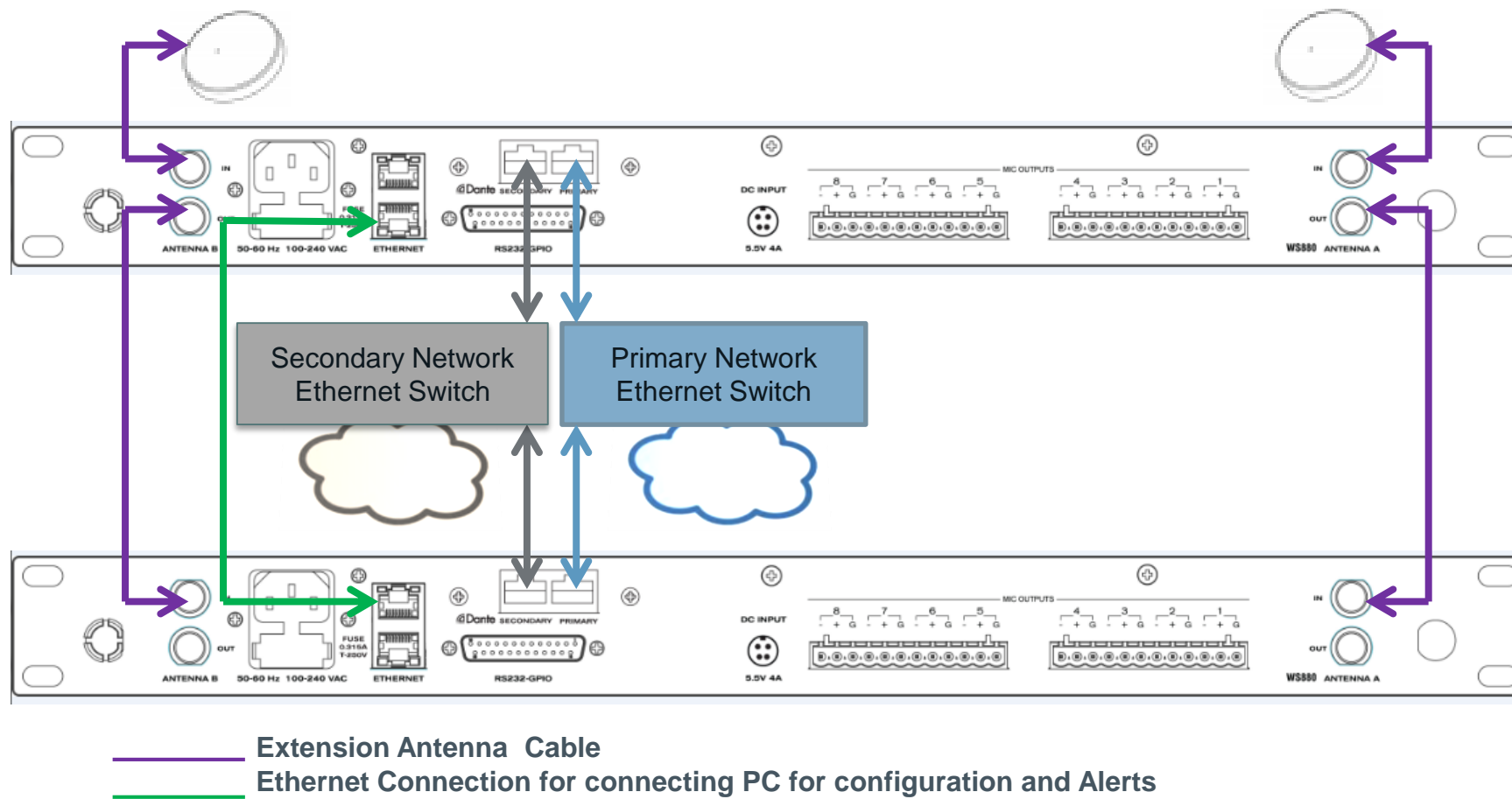
With Dante Primary & Secondary Interfaces

Networked Audio Systems with Dante

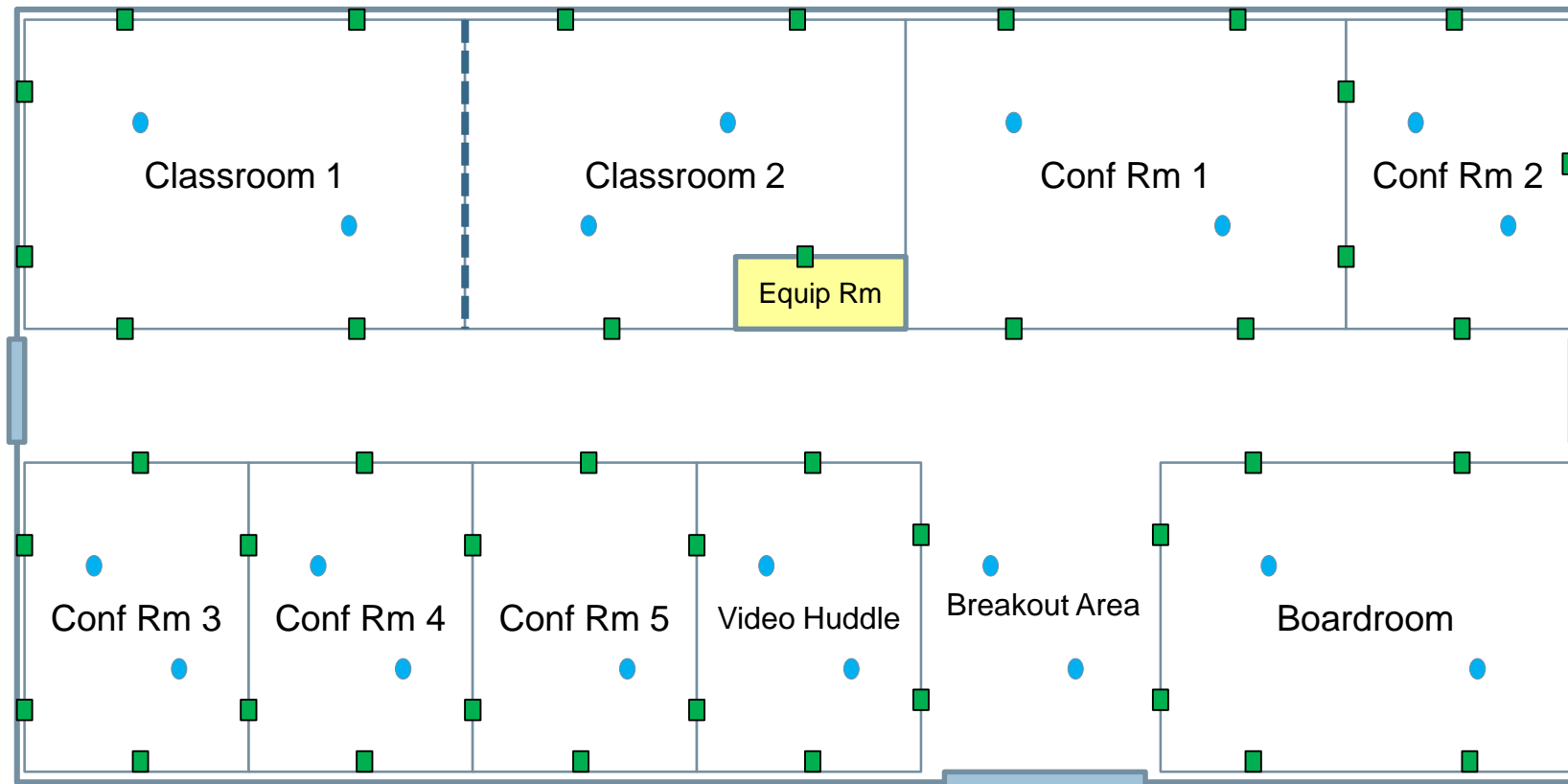


- ClearOne proprietary link (Expansion bus)
- Primary network
- Secondary network

Multiple Wireless Dante Receivers



Campus Environment Example



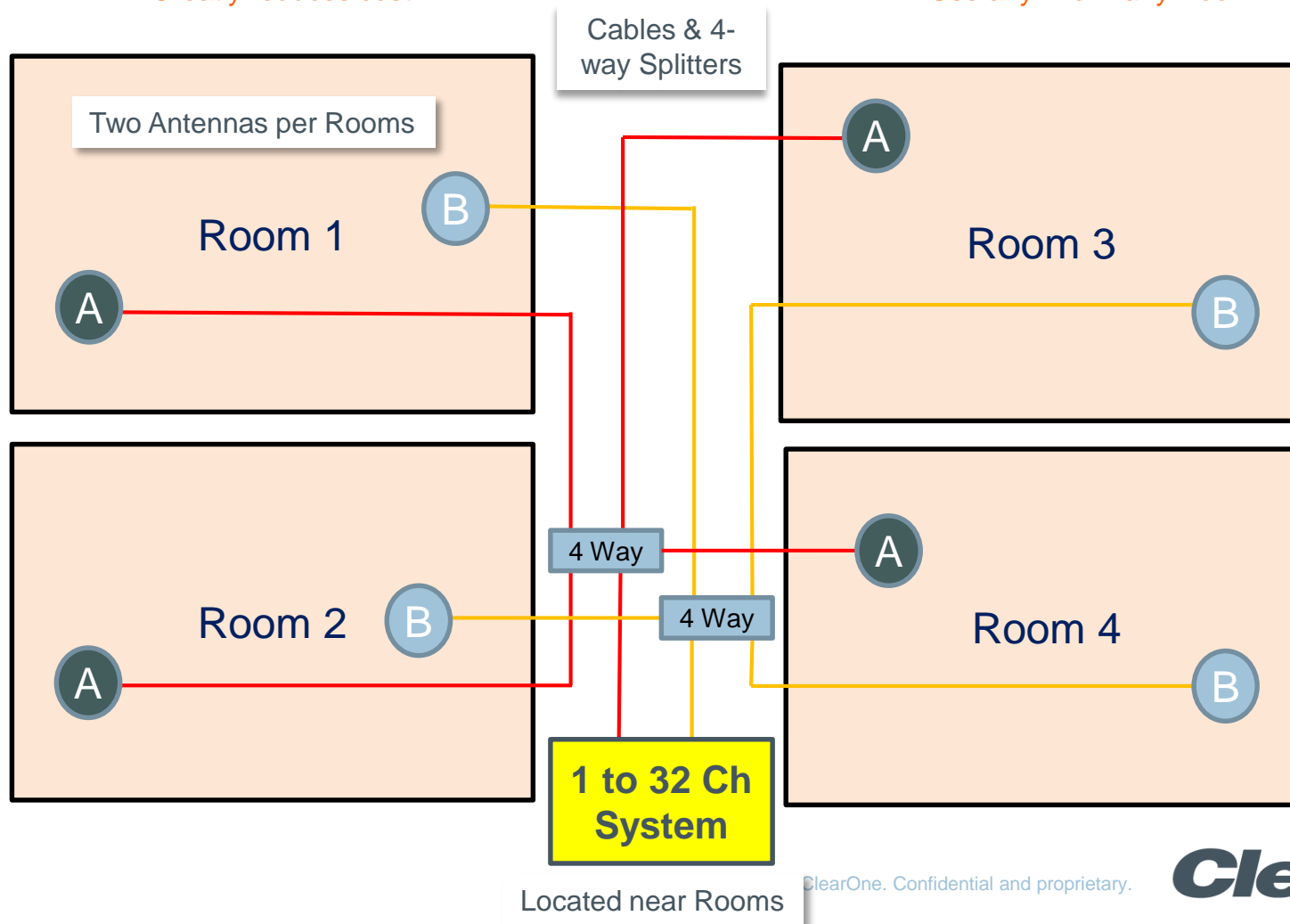
Dante Wall Boxes ■ Wireless Antennas ●

ClearOne: 1 to 6 Rooms with a Single System

Powered Extension Antennas create Simple Multi-room Solution

- Shared Central Resource
 - Greatly reduces cost

- Flexible Design
 - Use any Mic in any Room



Duval County Courthouse

300 channel system and growing...



One