

# AV Networking World

OCTOBER 28, 2015 NEW YORK CITY



# System Design Session

Bernie Farkus  
Sr. Technical Sales Engineer  
Audinate



# System Design Session

In this session we will be covering:

- Dante System Design Considerations.
- System Design Examples
  - HOW/Performing Arts Center
  - Corporate/Higher Education Facility
- Resources for Product Selection

# HOW/Performing Arts Center

# System 1



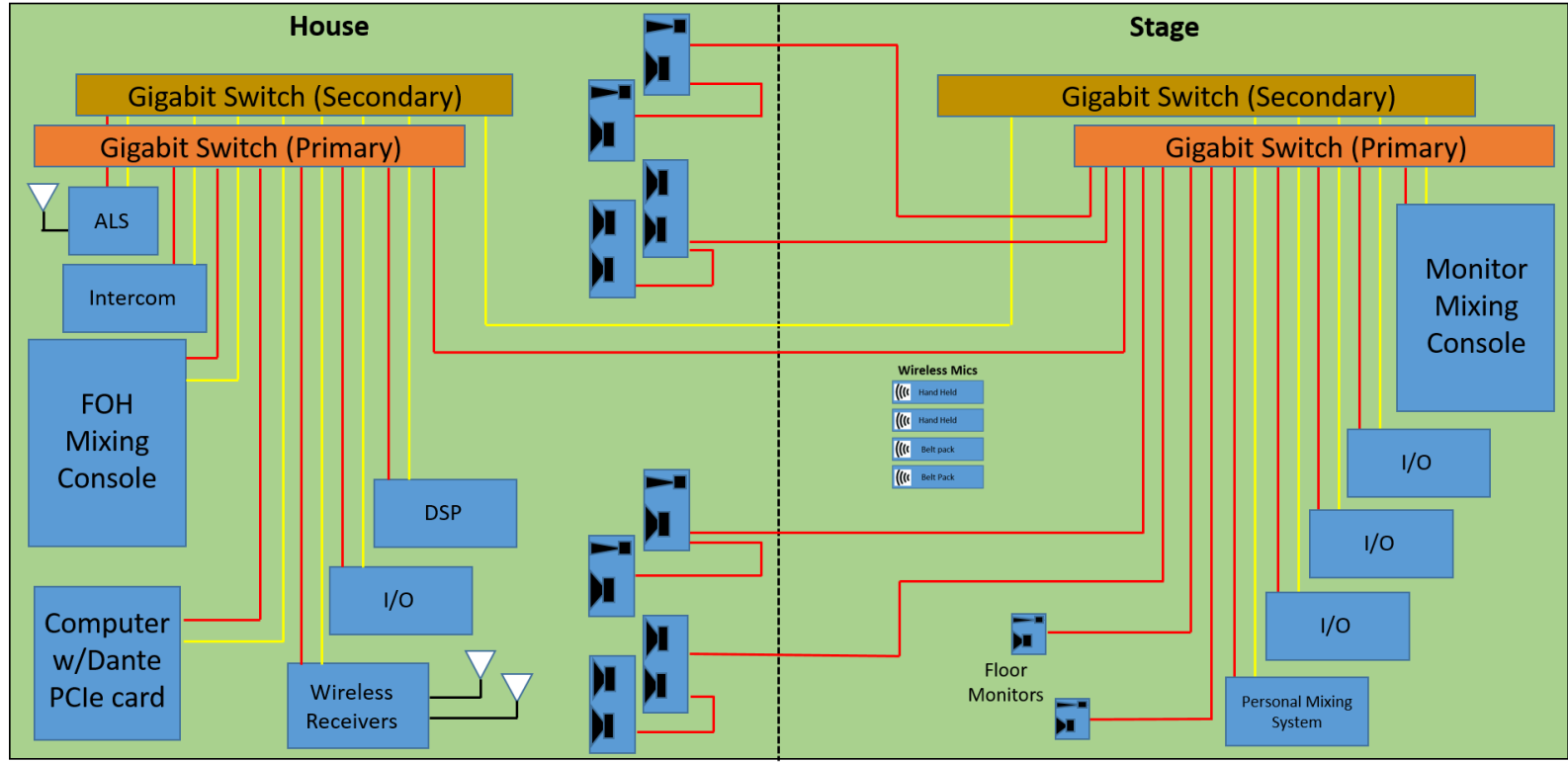
# HOW/Performing Arts Center

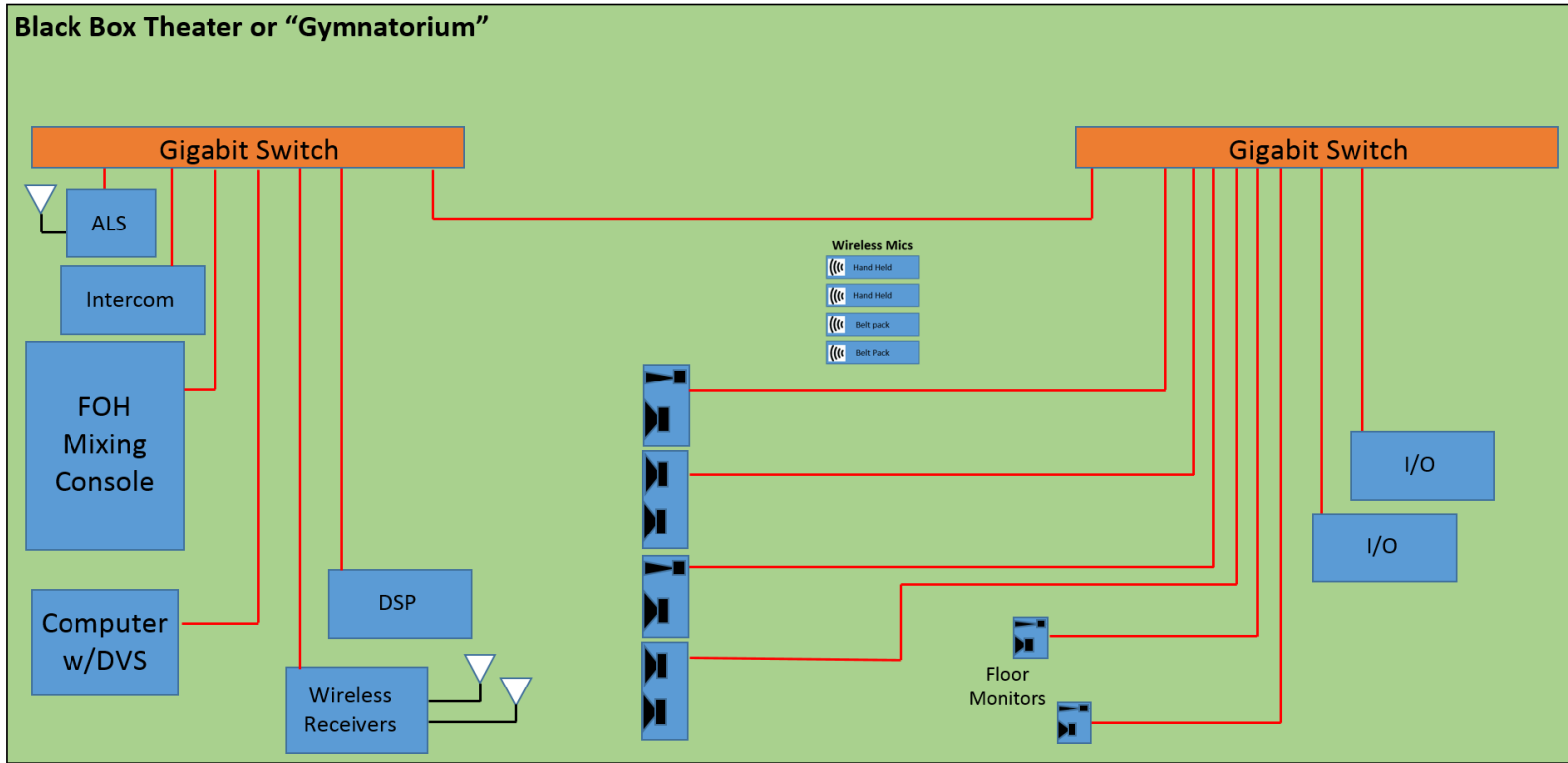
# System 1

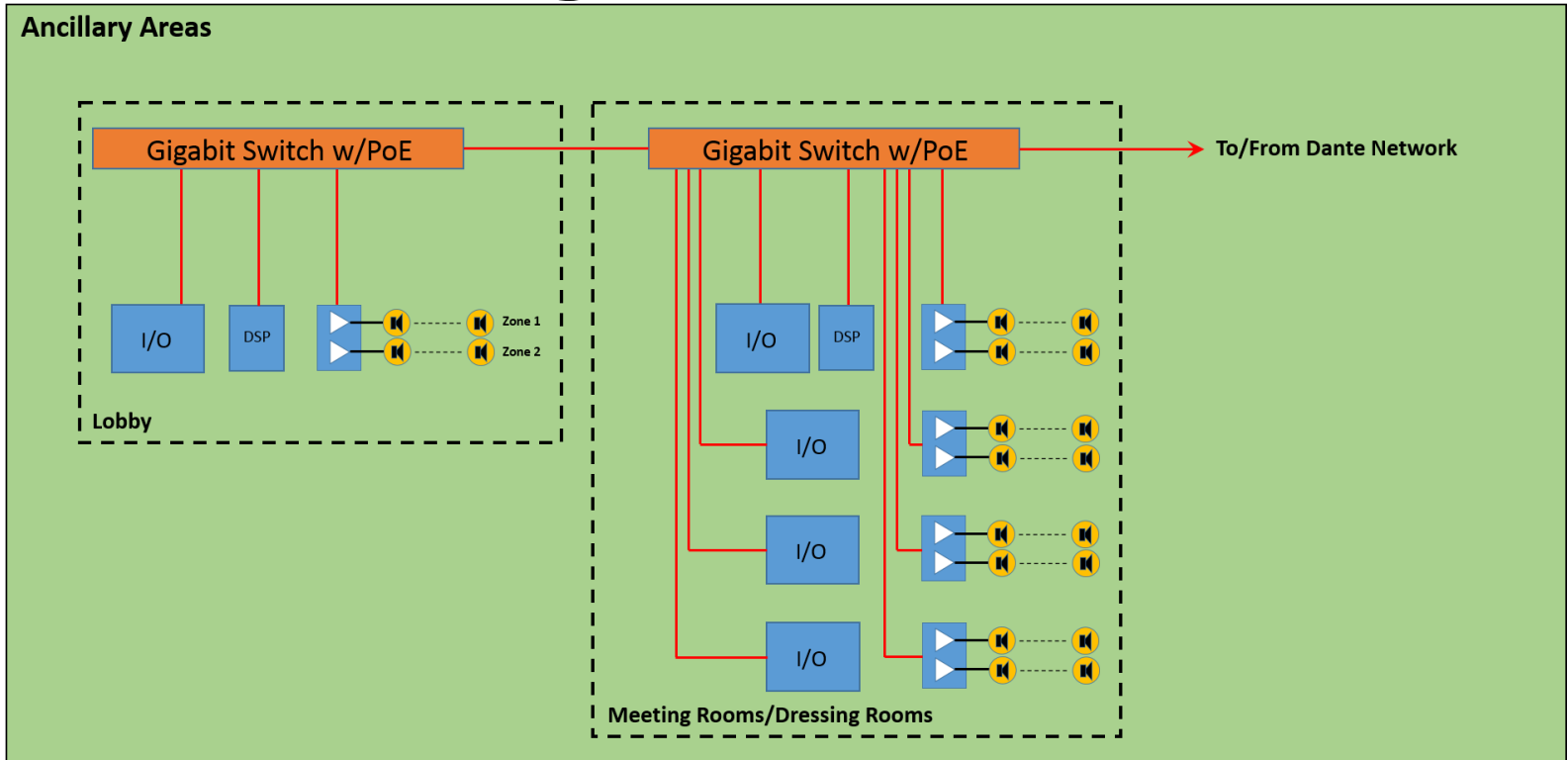


# HOW/Performing Arts Center

# System 1



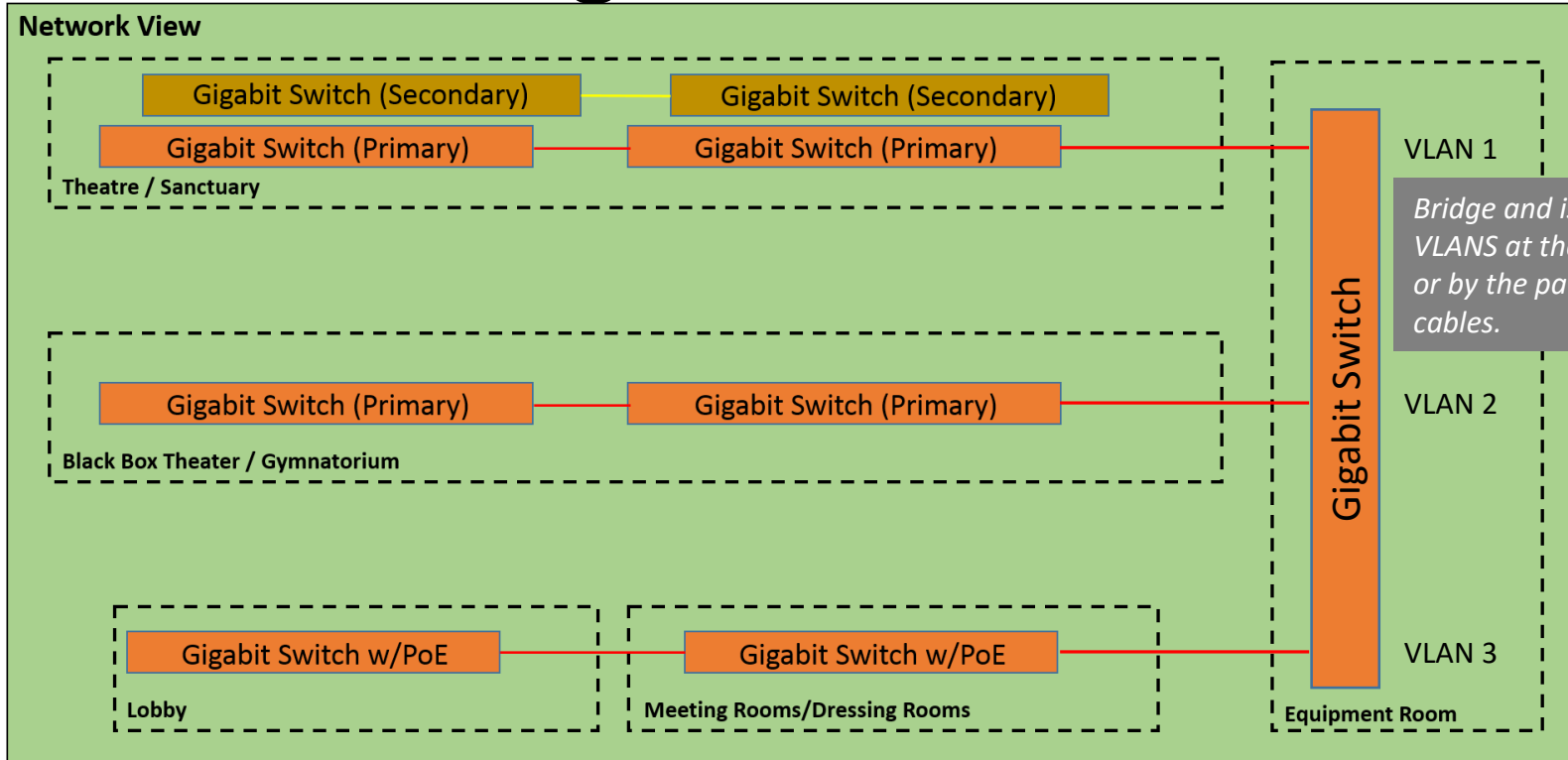


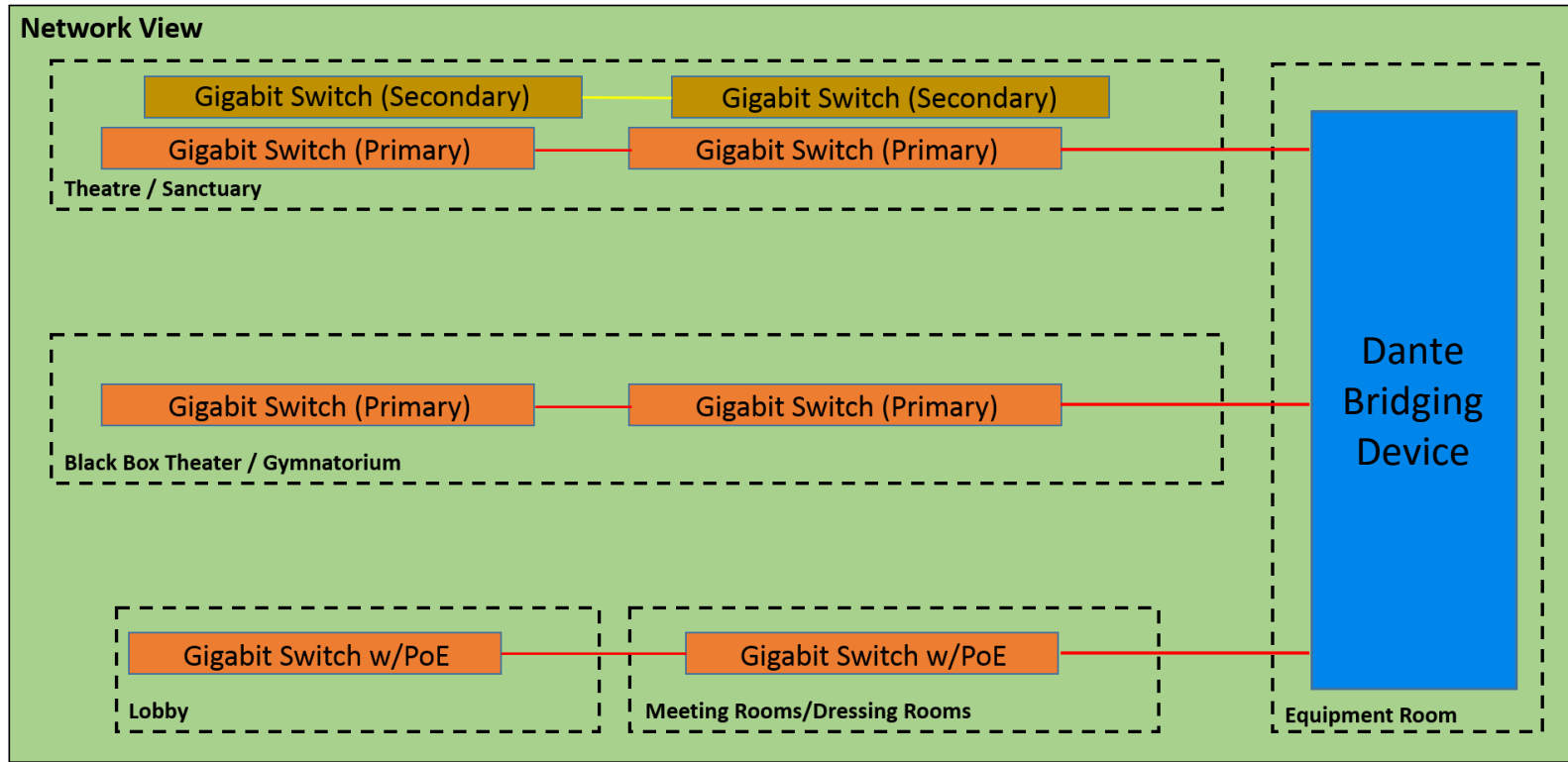




# HOW/Performing Arts Center

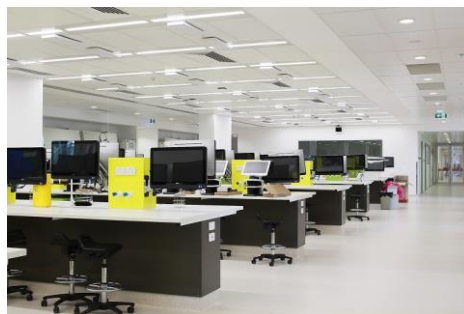
# System 1





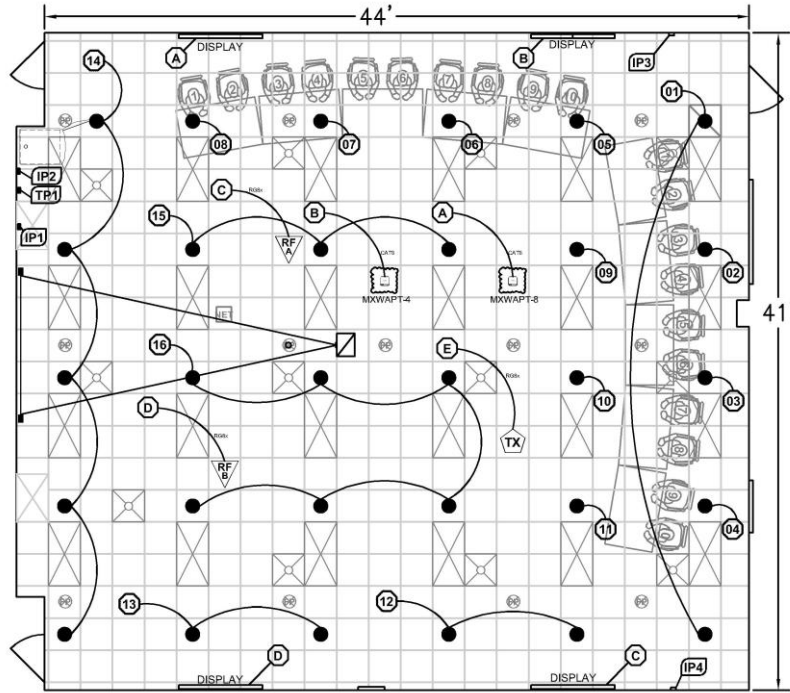
# Corporate/Higher Ed. Facility

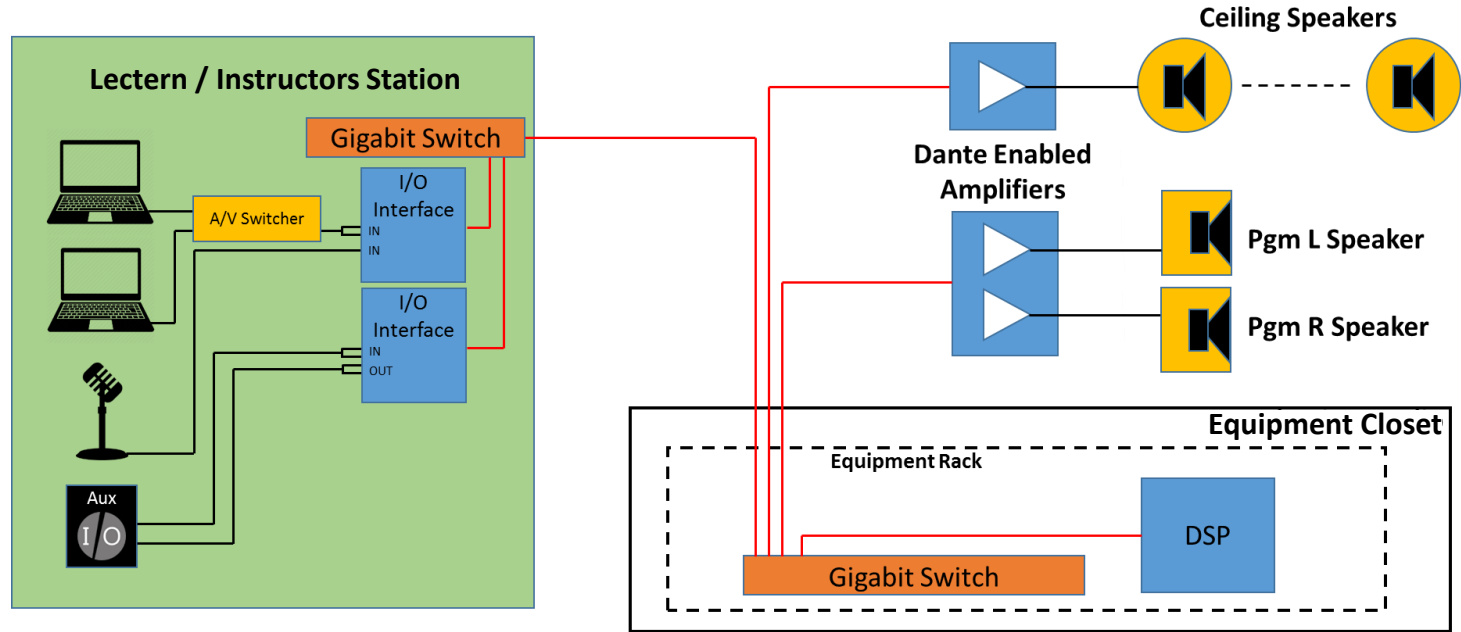
# System 2



# Corporate/Higher Ed. Facility

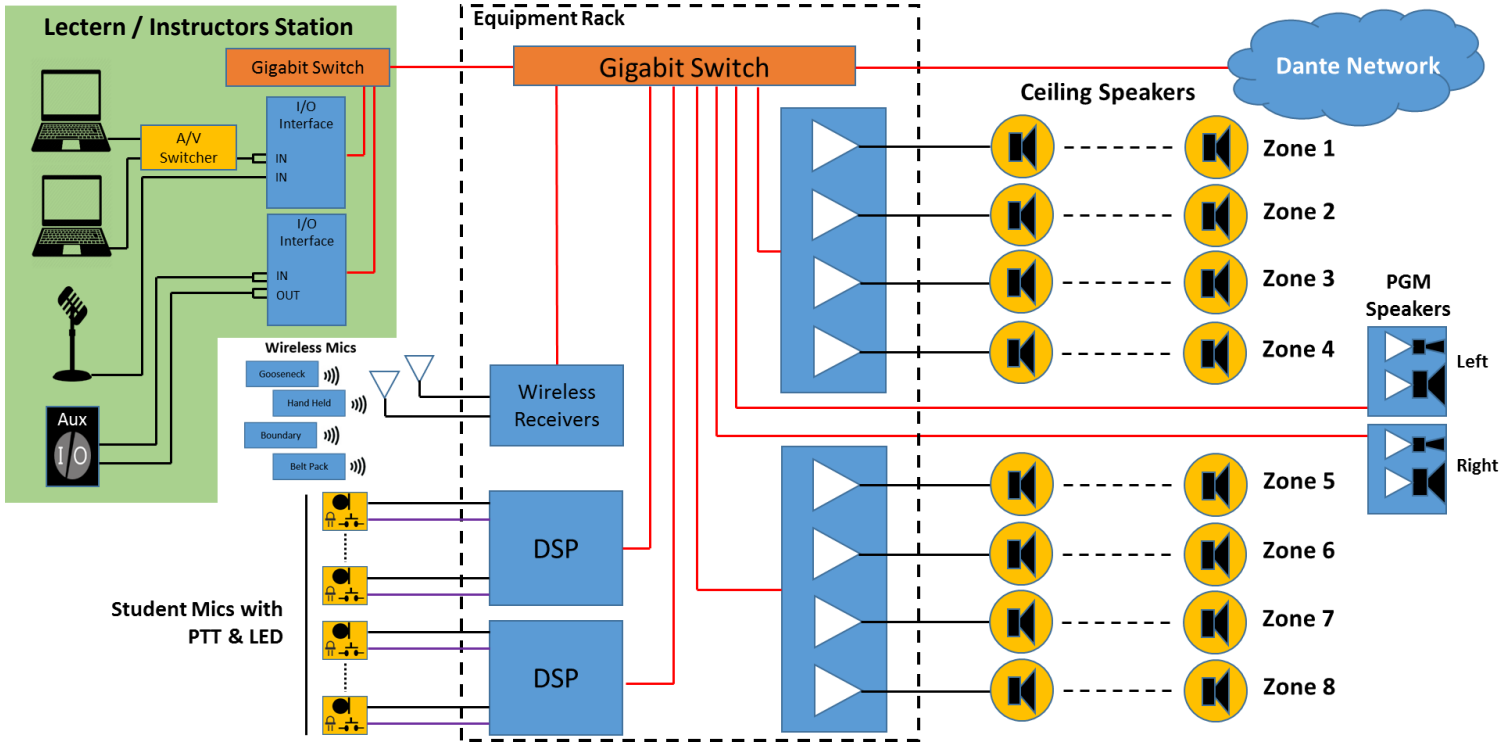
# System 2





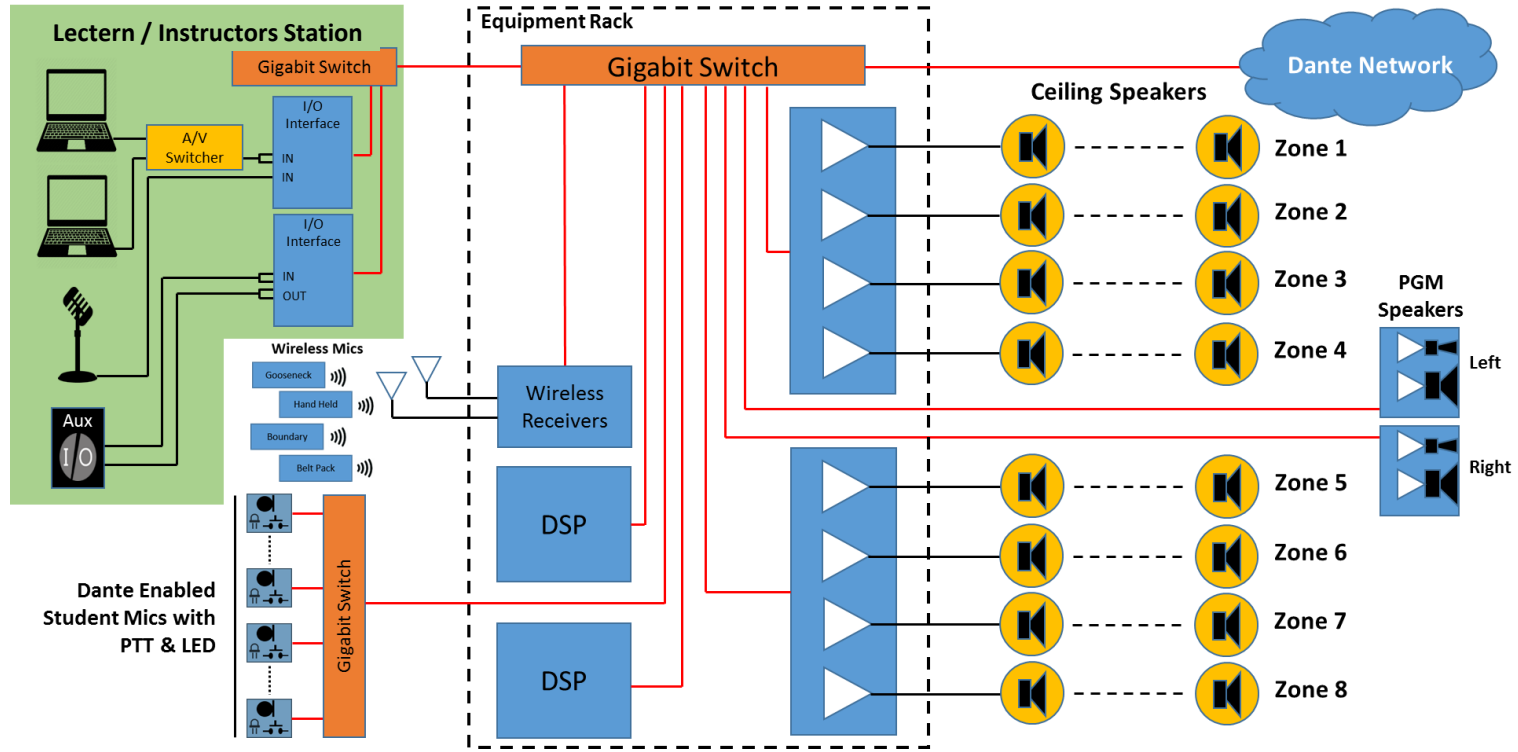
# Corporate/Higher Ed. Facility

# System 2



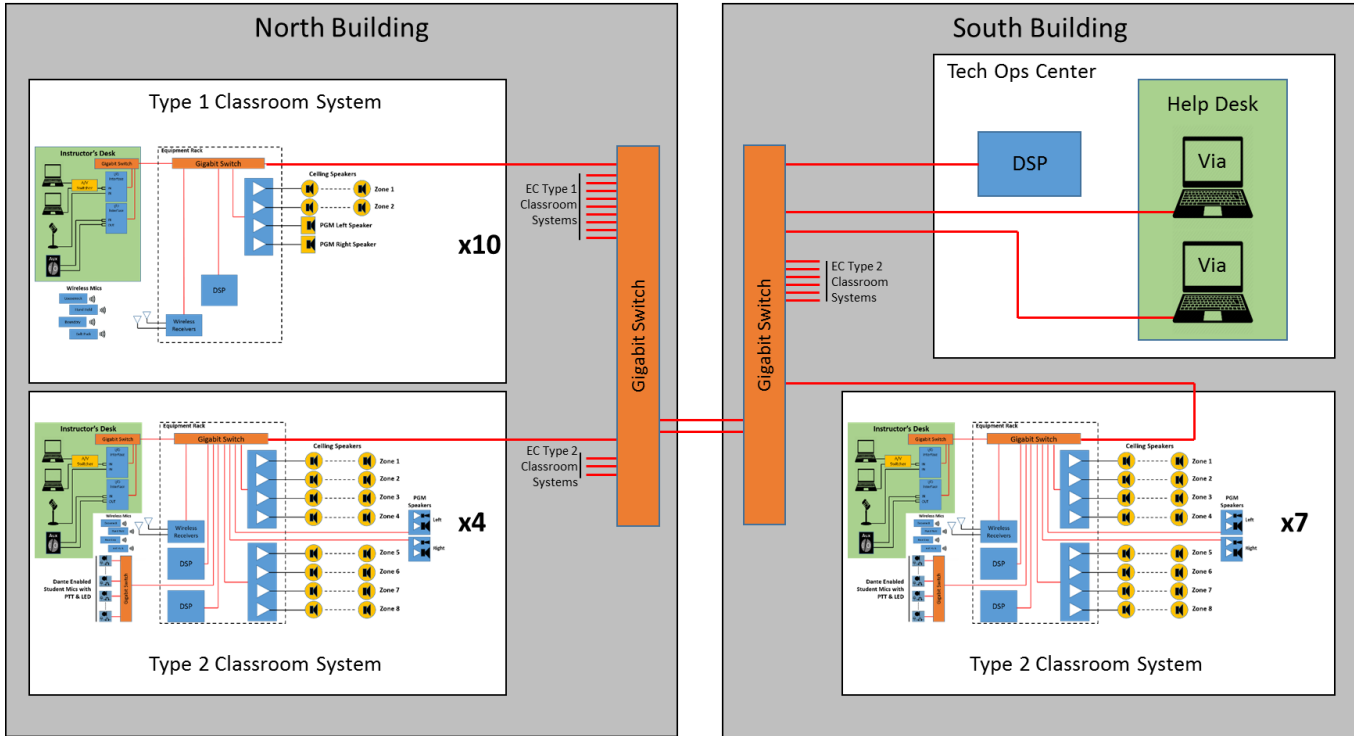
# Corporate/Higher Ed. Facility

# System 2



# Corporate/Higher Ed. Facility

# System 2





# Resources for Product Selection

- Audinate website Product Catalog
  - Updated weekly
  - Well over 90% of the products listed are shipping.
  - Filter by product type
  - Links to the manufacturers websites
- Manufacturers websites
  - Specific details on their Dante implementation
  - Data sheets/Manuals/Software
  - Firmware updates

